

ATS48C11Y

soft starter for asynchronous motor - ATS48 - 96
A - 208..690 V - 22..90 KW

Product availability : Stock - Normally stocked in distribution facility



Price** : 1,785.00 USD



Main

Range of product	Altistart 48
Product or component type	Soft starter
Product destination	Asynchronous motors
Product specific application	Heavy duty industry and pumps
Device short name	ATS48
Power supply voltage	208...690 V - 15...10 %
Motor power kW	22 kW 230 V for severe applications 30 kW 230 V for standard applications 45 kW 400 V for severe applications 45 kW 440 V for severe applications 55 kW 400 V for standard applications 55 kW 440 V for standard applications 55 kW 500 V for severe applications 55 kW 525 V for severe applications 75 kW 500 V for standard applications 75 kW 525 V for standard applications 75 kW 660 V for severe applications 75 kW 690 V for severe applications 90 kW 660 V for standard applications 90 kW 690 V for standard applications
Maximum Horse Power Rating	100 hp 575 V for standard applications 25 hp 208 V for severe applications 30 hp 208 V for standard applications 30 hp 230 V for severe applications 40 hp 230 V for standard applications 60 hp 460 V for severe applications 75 hp 460 V for standard applications 75 hp 575 V for severe applications
Power dissipation in W	252 W for standard applications 322 W for standard applications
Utilisation category	AC-53A
Type of start	Start with torque control (current limited to 5 In)
Icl nominal current	110 A connection in the motor supply line for standard applications

IP degree of protection	IP20
-------------------------	------

Complementary

Assembly style	With heat sink
Function available	External bypass (optional)
Power supply voltage limits	177...759 V
Power supply frequency	50...60 Hz - 5...5 %
Power supply frequency limits	47.5...63 Hz
Device connection	In the motor supply line
Factory setting current	96 A
[Uc] control circuit voltage	110 - 15 % to 230 + 10 %, 50/60 Hz
Control circuit consumption	30 W
Discrete output number	2
Discrete output type	LO1) logic output 0 V common configurable LO2) logic output 0 V common configurable R1) relay outputs fault relay NO R2) relay outputs end of starting relay NO R3) relay outputs motor powered NO
Output absolute accuracy precision	+/- 5 %
Minimum switching current	10 mA 6 V DC relay outputs
Maximum switching current	Logic output 0.2 A 30 V DC Relay outputs 1.8 A 230 V AC inductive, cos phi = 0.5 20 ms Relay outputs 1.8 A 30 V DC inductive, cos phi = 0.5 20 ms
Discrete input number	5
Discrete input type	PTC, 750 Ohm 77 °F (25 °C) Stop, Run, LI3, LI4) logic, <= 8 mA 4300 Ohm
Discrete input voltage	24 V <= 30 V
Discrete input logic	Positive logic Stop, Run, LI3, LI4 < 5 V <= 2 mA > 11 V, >= 5 mA
Starting current	0.4...1.3 Icl adjustable
Analogue output type	Current output AO 0-20 mA or 4-20 mA 500 Ohm
Communication port protocol	Modbus
Connector type	1 RJ45
Communication data link	Serial
Physical interface	RS485 multidrop
Transmission rate	4800, 9600 or 19200 bps
Max nodes number	31
Protection type	Phase failure line Thermal protection motor Thermal protection starter
Marking	CE
Type of cooling	Forced convection
Operating position	Vertical +/- 10 degree
Height	11.42 in (290 mm)
Width	7.48 in (190 mm)
Depth	9.25 in (235 mm)
Net weight	18.30 lb(US) (8.3 kg)
Motor power range AC-3	15...25 kW 200...240 V 3 phase 30...50 kW 200...240 V 3 phase 55...100 kW 380...440 V 3 phase 55...100 kW 480...500 V 3 phase
Motor starter type	Soft starter

Environment

Electromagnetic compatibility	Conducted and radiated emissions level A IEC 60947-4-2 Conducted and radiated emissions level B IEC 60947-4-2 Damped oscillating waves level 3 IEC 61000-4-12
-------------------------------	---

Electrostatic discharge level 3 IEC 61000-4-2
 Immunity to electrical transients level 4 IEC 61000-4-4
 Immunity to radiated radio-electrical interference level 3 IEC 61000-4-3
 Voltage/current impulse level 3 IEC 61000-4-5

Standards	EN/IEC 60947-4-2
Product certifications	GOST TCF CCC SEPRO NOM 117 C-Tick CSA UL DNV
Vibration resistance	1 gn 13...200 Hz)EN/IEC 60068-2-6 1.5 mm 2...13 Hz)EN/IEC 60068-2-6
Shock resistance	15 gn 11 ms EN/IEC 60068-2-27
Noise level	58 dB
Pollution degree	Level 3 IEC 60664-1
Relative humidity	0...95 % without condensation or dripping water EN/IEC 60068-2-3
Ambient air temperature for operation	104...140 °F (40...60 °C) with current derating of 2 % per °C) 14...104 °F (-10...40 °C) without)
Ambient air temperature for storage	-13...158 °F (-25...70 °C)
Operating altitude	<= 3280.84 ft (1000 m) without > 3280.84...6561.68 ft (> 1000...2000 m) with current derating of 2.2 % per additional 100 m

Ordering and shipping details

Category	22579 - OPEN ATS48 ALTISTART
Discount Schedule	CP1G
GTIN	00785901982340
Package weight(Lbs)	9.76 kg (21.52 lb(US))
Returnability	Yes
Country of origin	ID

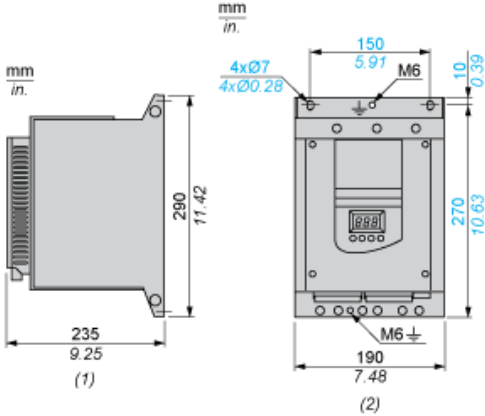
Offer Sustainability

Sustainable offer status	Green Premium product
REACH Regulation	REACH Declaration
EU RoHS Directive	Pro-active compliance (Product out of EU RoHS legal scope) EU RoHS Declaration
Mercury free	Yes
RoHS exemption information	Yes
China RoHS Regulation	China RoHS declaration
Environmental Disclosure	Product Environmental Profile
Circularity Profile	End of Life Information
WEEE	The product must be disposed on European Union markets following specific waste collection and never end up in rubbish bins.

Contractual warranty

Warranty	18 months
----------	-----------

Dimensions



(1) Right View
(2) Front View

Clearance

